

SG40 GYRO STABILIZER

Smartgyro SG40 is the gyro stabilizer of choice for boats from 50-60 ft. Ideal for both new builds and refit installations, the stabilizer can be fully serviced on-board the vessel without the need to lift out for maintenance, ensuring significant time and cost savings.



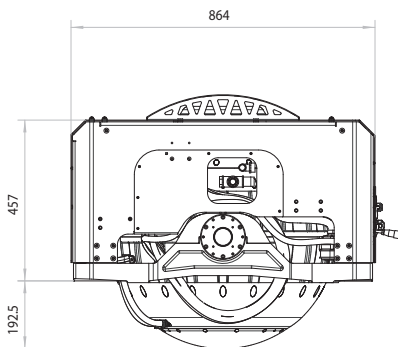
TECHNICAL SPECIFICATIONS

Maximum Rated speed	7.500 RPM	Operating AC power	1.5 - 2.5 kW *
Angular momentum at max. rated speed	9.100 Nms	DC power ("Spool-up" and operating)	150 W (including display)
Anti-rolling torque at max. rated speed	19.000 Nm	Sea water supply	15 (min) - 30 (max) LPM [4 (min) - 8 (max) GPM]
"Spool-up" time to max. rated speed	55 minutes	Operating temperature	0 - 60 °C [32 - 140 °F]
"Spool-up" time to stabilization	25 minutes (65% of rated speed)	Envelope dimensions	0.86 x 0.93 x 0.72 m [34.0 x 36.5 x 28.4 in]
Input voltage (AC)	220V nominal 50/60 Hz, single phase	Weight	650 kg [1430 lbs]
Input voltage (DC):	24 Vdc	Noise output	68 - 70 dBC @ 1 meter
"Spool-up" AC power	4 kW		

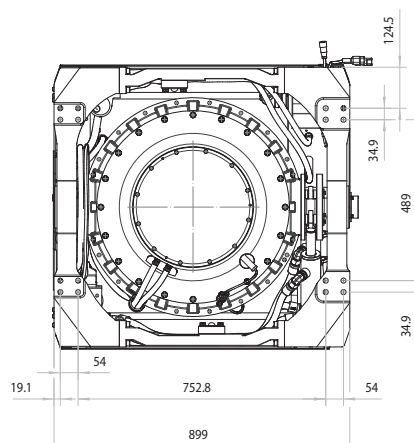
*sea state dependent

NOTE: All data subject to change without notice. Text and illustrations are not binding.

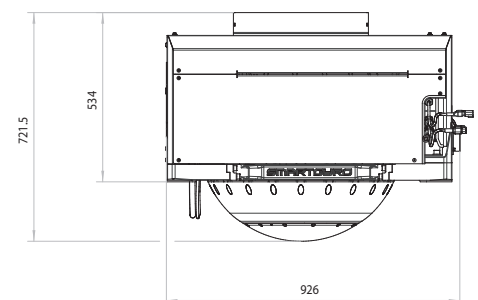
PORT VIEW



TOP VIEW



FRONT VIEW



Dimensions in mm