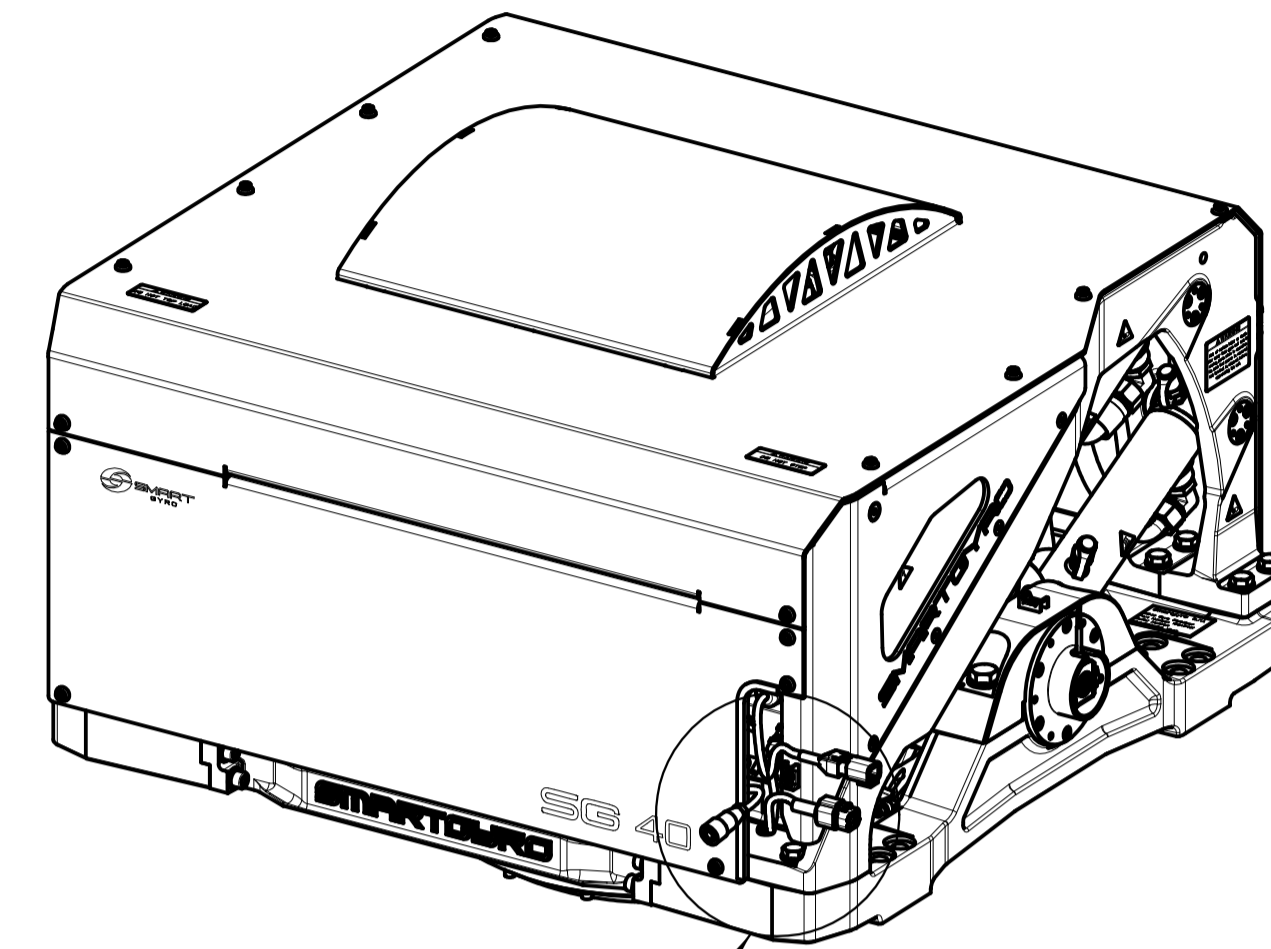
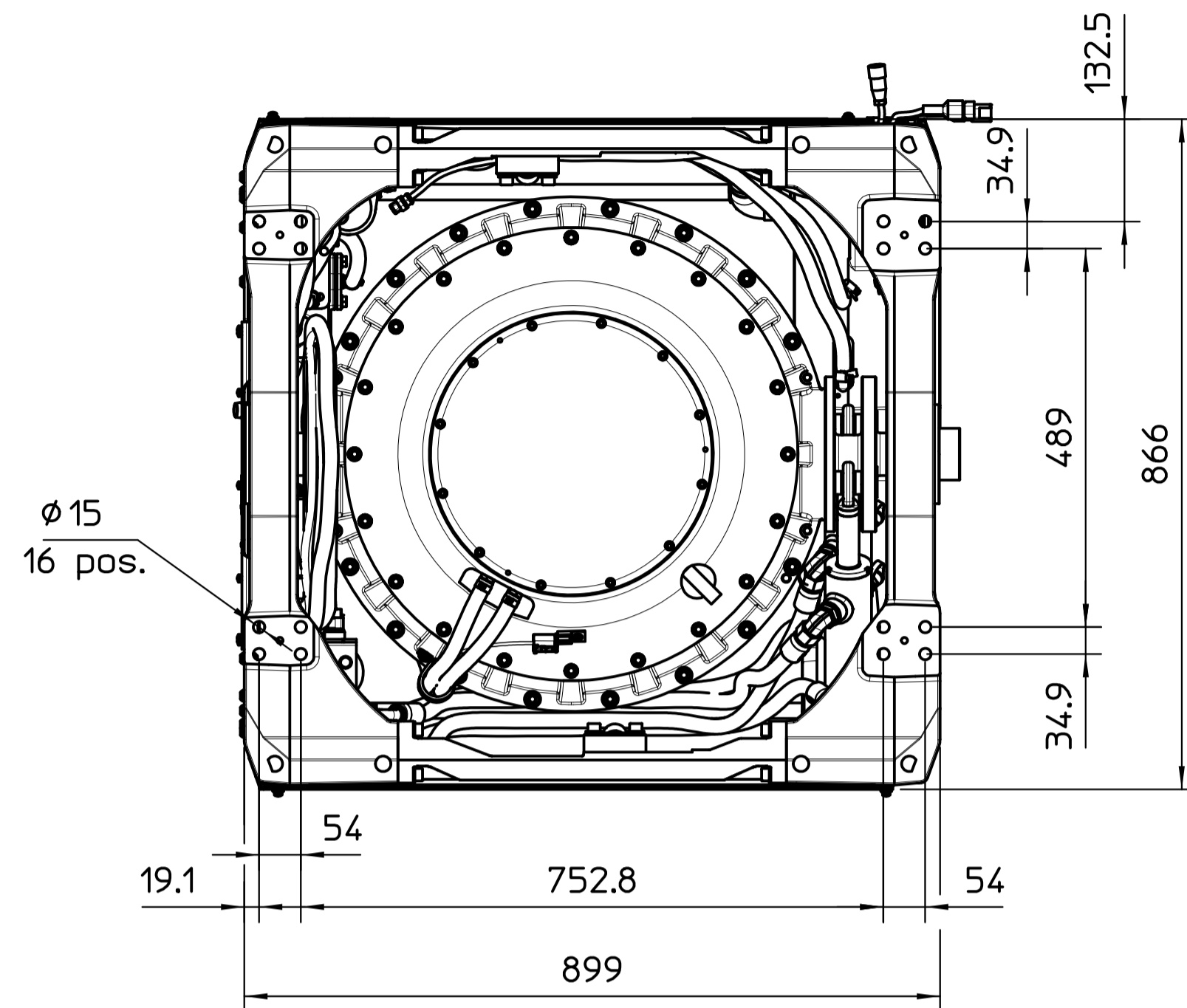
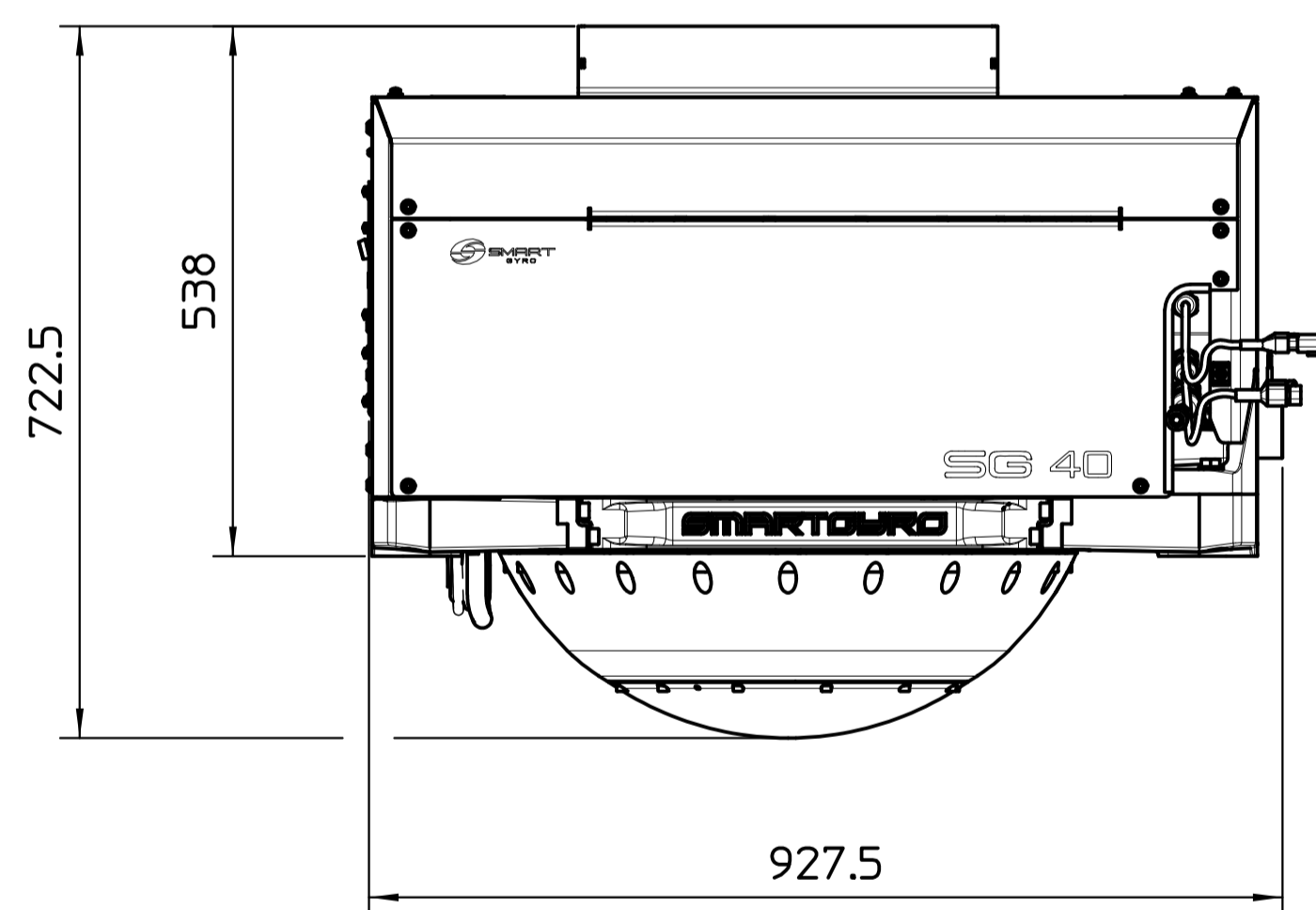


SG40 OUTLINE

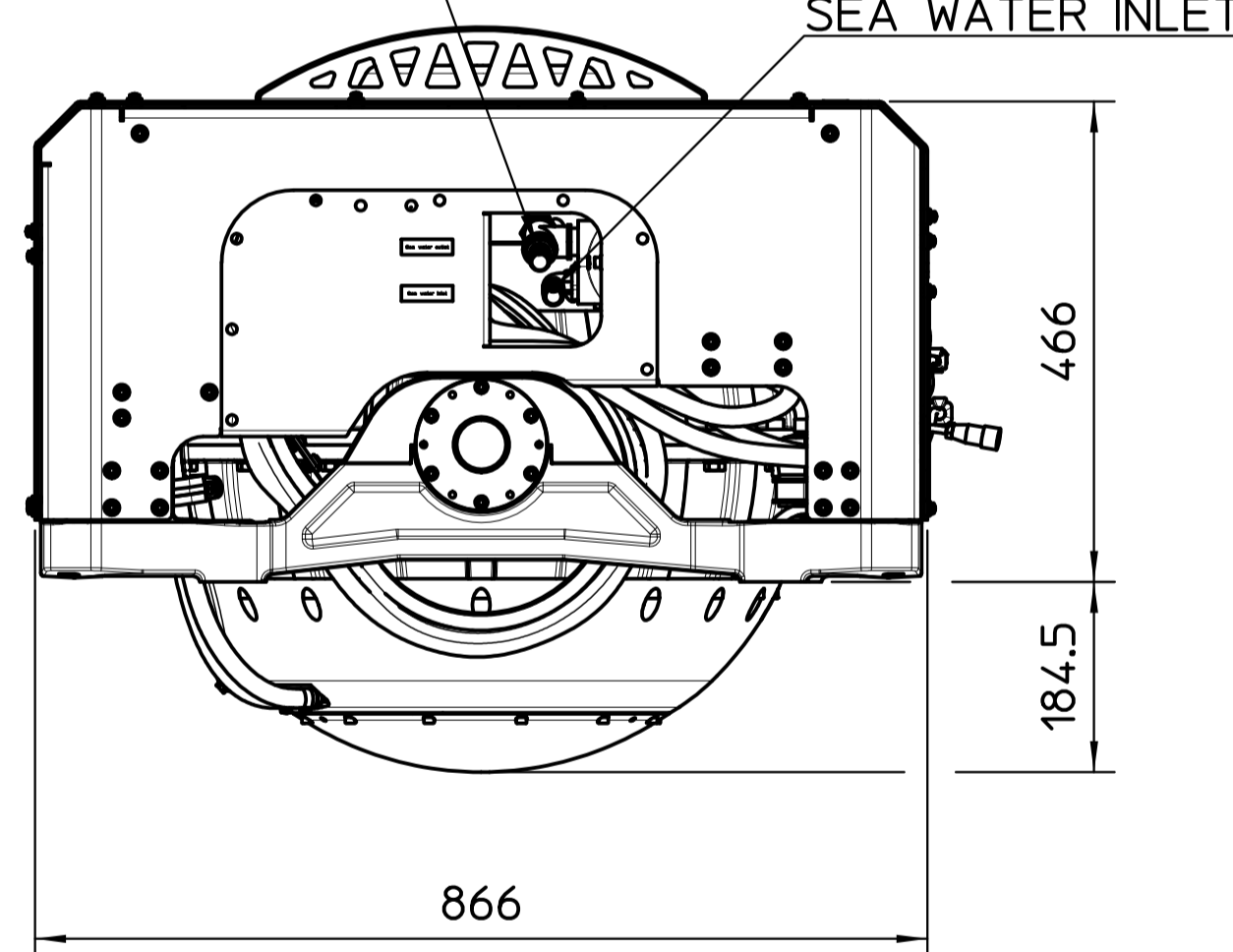


CABLE ENTRY



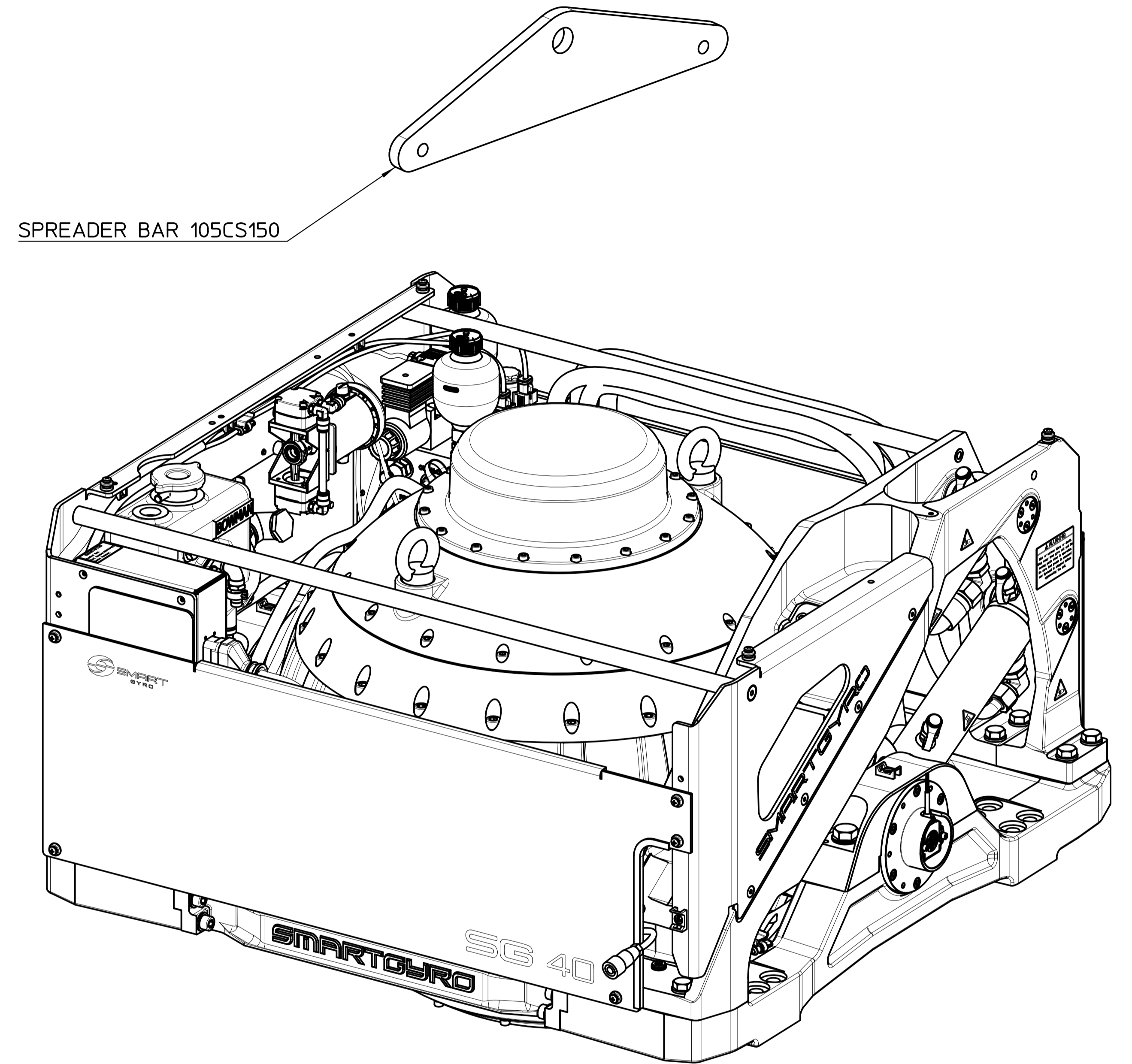
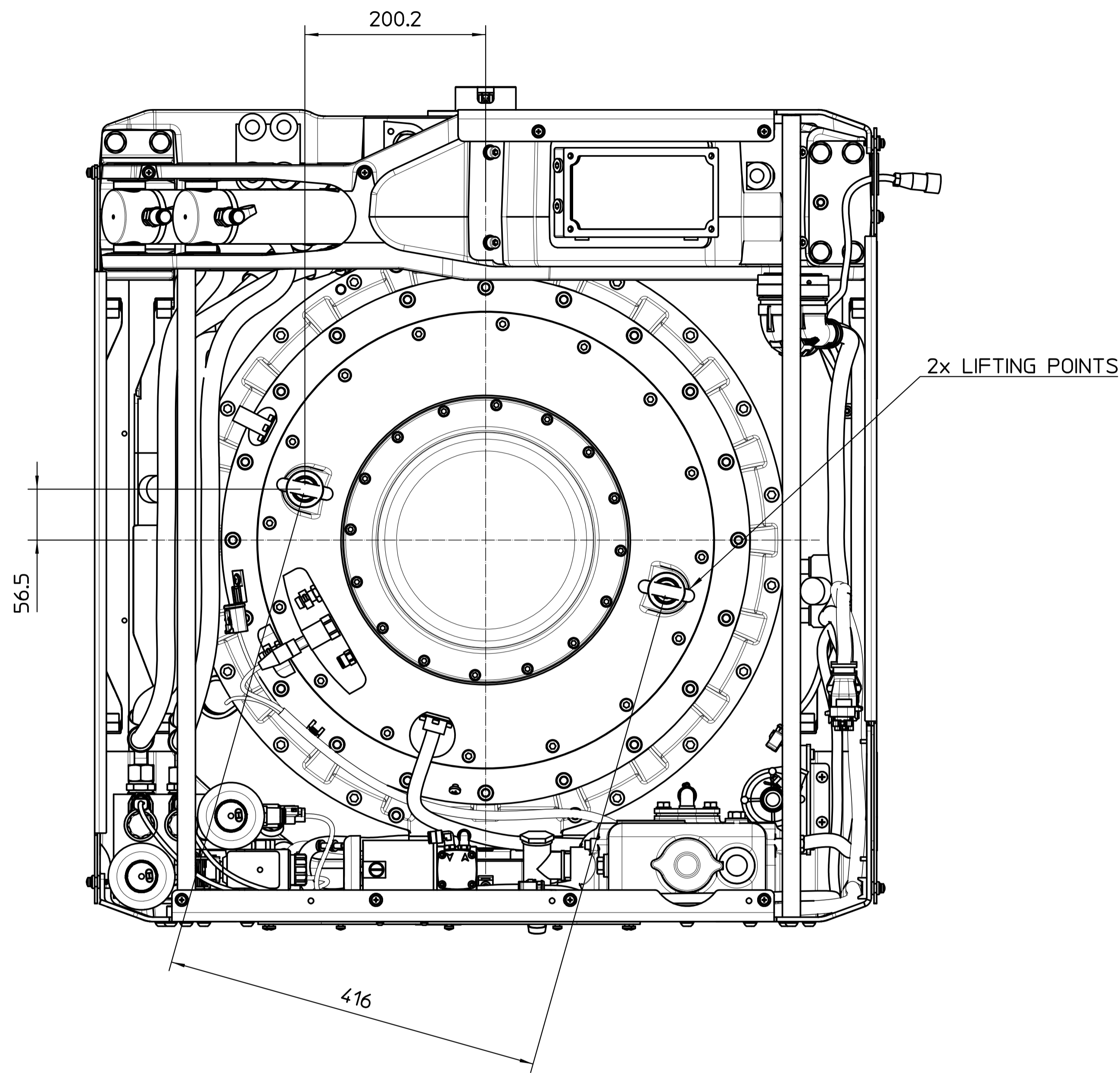
SEA WATER OUTLET

SEA WATER INLET



REV.	DATA / DATE	DESCRIZIONE REVISIONE / REVISION DESCRIPTION	DESEGNO / DRAWN BY	VERIFICATO / CHECKED BY	APPROVATO / APPROVED BY	MATERIALE / MATERIAL	TRATTAMENTO TERMICO / HEAT TREATMENT	RIVESTIMENTO SUPERFICIALE / SURFACE TREATMENT	DENOMINAZIONE / DESCRIPTION
D	28/09/2021	Sheet 3 review	GIANNINI	SALUTARI	.				
C	02/09/2021	Sheet 5 review	GIANNINI	SALUTARI	.				
B	06/05/2021	General review	GIANNINI	SALUTARI	.				
A	29/03/2021	Issue	GIANNINI	SALUTARI	.				
FIRMA / SIGN	GIANNINI	SALUTARI	.						
DATA / DATE	15/03/2021	15/03/2021	.						
QUOTE SENZA INDICAZIONE DI TOLLERANZA DIMENSIONS WITHOUT TOLERANCE INDICATIONS ISO 2768-mK							A2		
SMUSI NON QUOTATI / NOT DIMENSIONED CHAMFER: 0.3x45° RAGGI NON QUOTATI / NOT DIMENSIONED RADI: 0.3							SG40 INSTALLATION DETAILS		
RIPRODUZIONE E/O DIFFUSIONE VIETATA REPRODUCTION AND/OR DISCLOSURE IS FORBIDDEN						DISEGNO NR. / DRAWING NR. 105ID401	FOGLIO / SHEET 1 / 5	PESO / WEIGHT (kg)	SCALA / SCALE 1 : 10

SG40 GYRO LIFTING

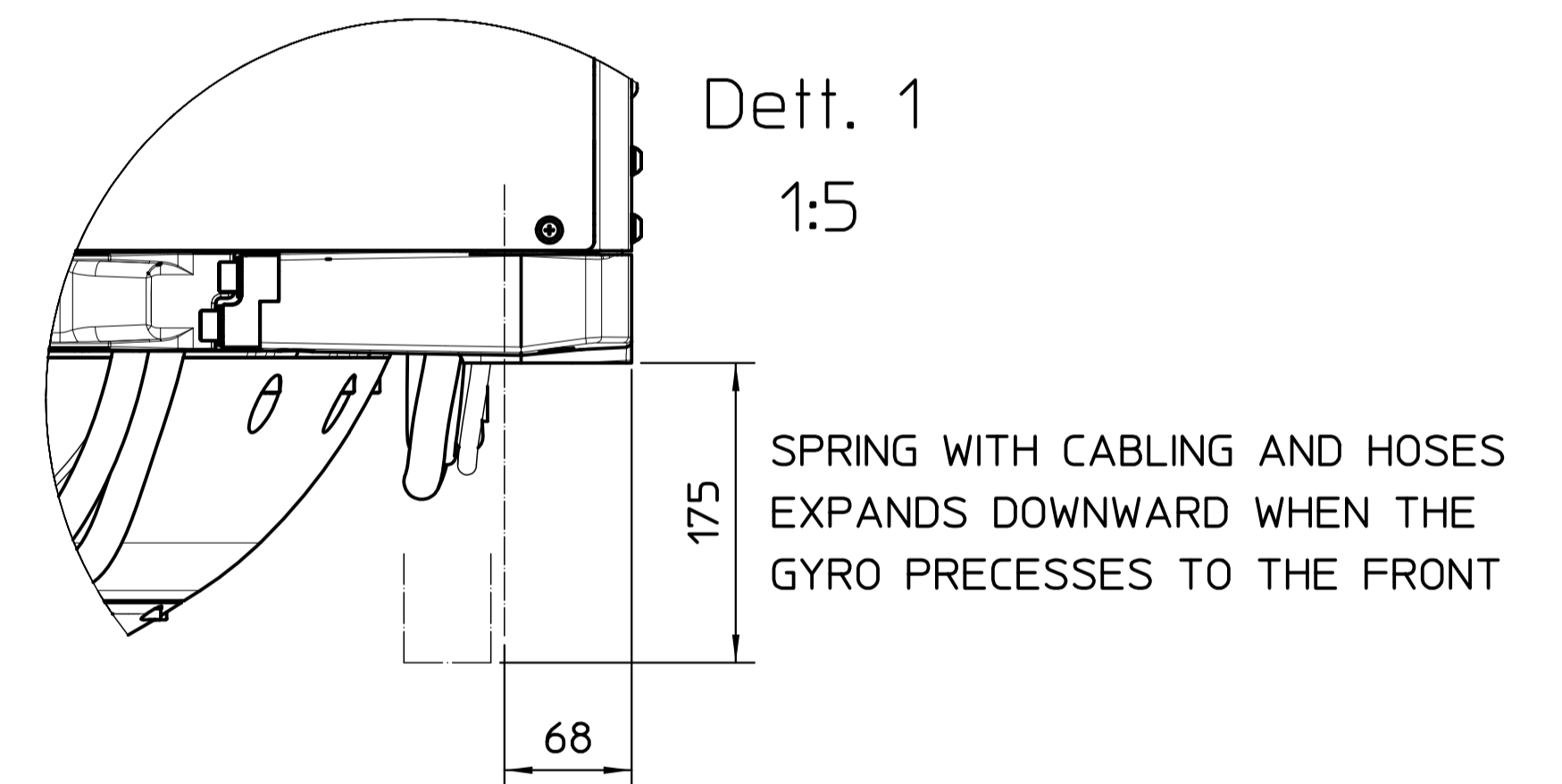
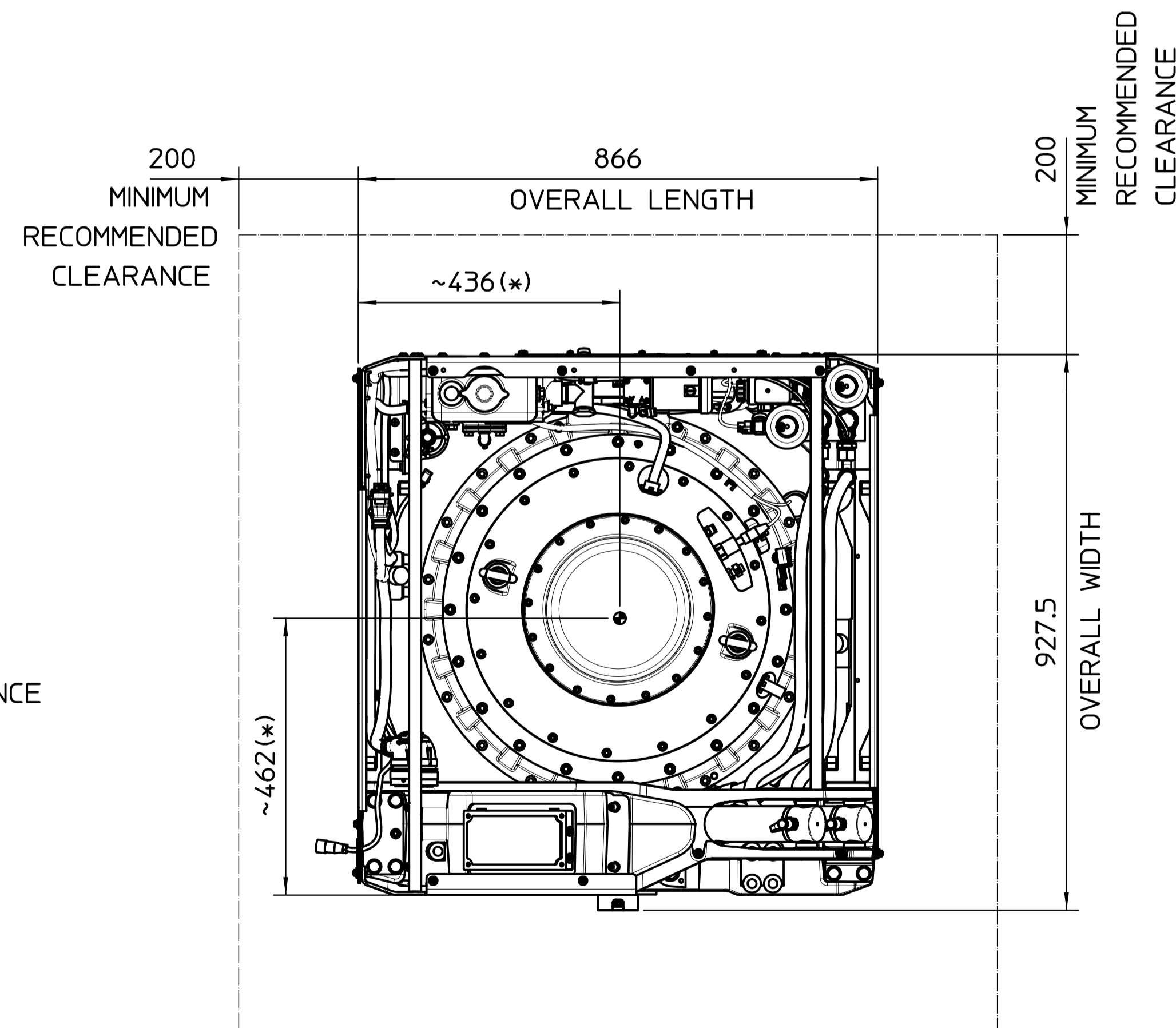
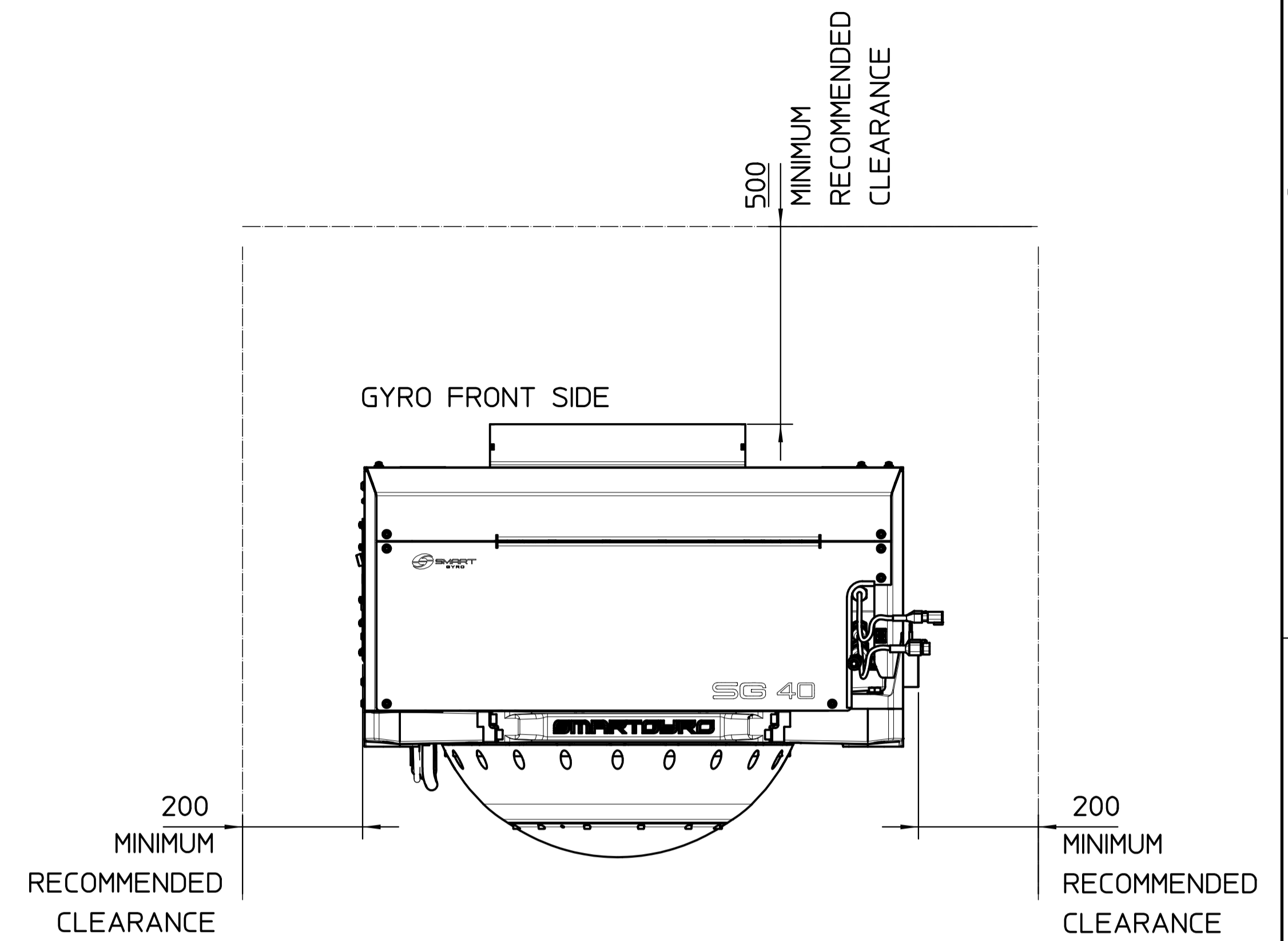
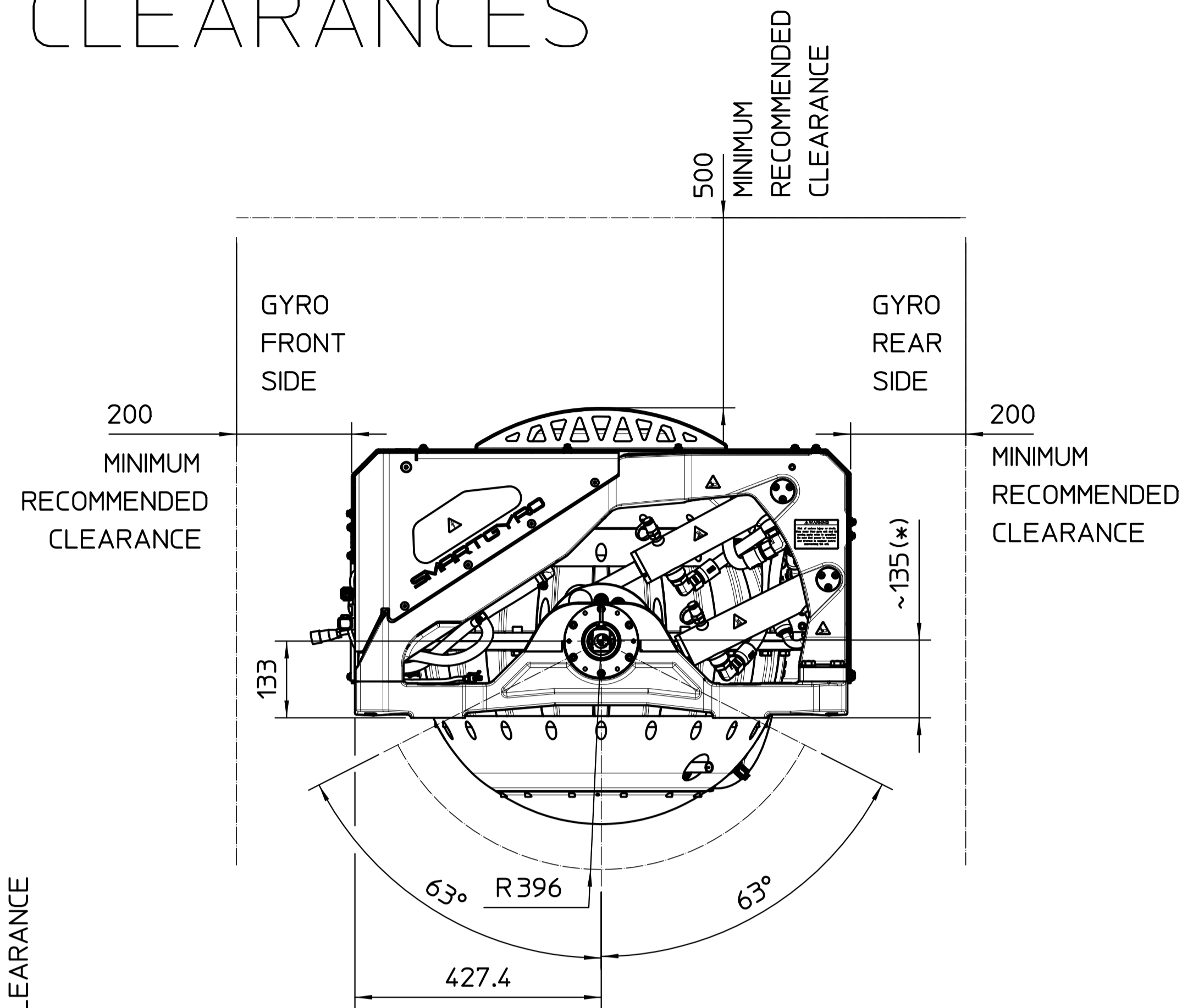
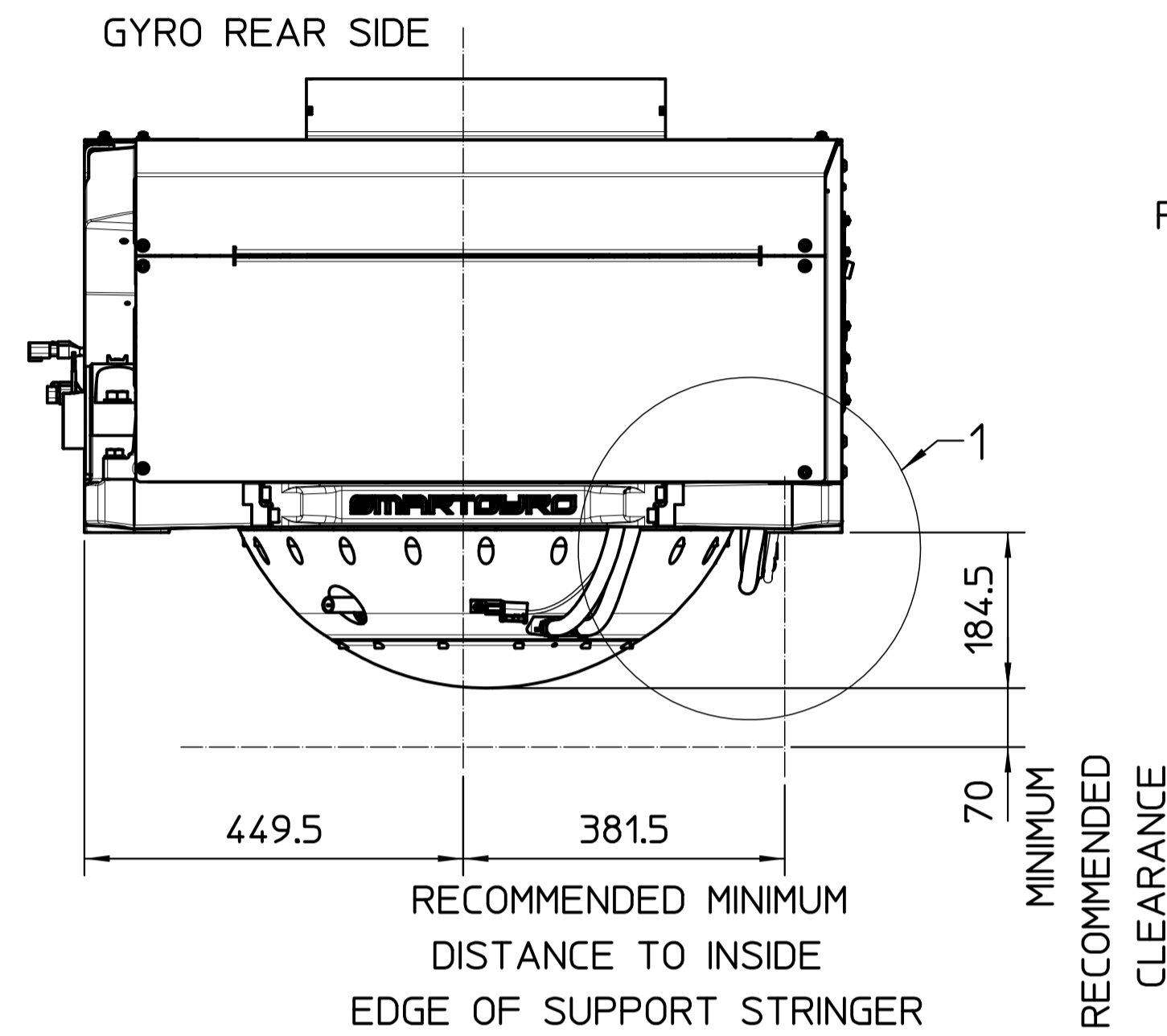


NOTES:

- SG40 assembly weight: 650 Kg
- For vertical lifting use spreader bar 105CS150 or similar tool.
- Ensure to use the eyebolts for gyro lifting and that lifting straps/chains remain vertical during operation.
- The eyebolts are placed at 180° on the same circumference.

D	28/09/2021	Sheet 3 review	GIANNINI	SALUTARI	.
C	02/09/2021	Sheet 5 review	GIANNINI	SALUTARI	.
B	06/05/2021	General review	GIANNINI	SALUTARI	.
A	29/03/2021	Issue	GIANNINI	SALUTARI	.
REV.	DATA / DATE	DESCRIZIONE REVISIONE / REVISION DESCRIPTION	DISEGNATO / DRAWN BY	VERIFICATO / CHECKED BY	APPROVATO / APPROVED BY
FIRMA / SIGN	GIANNINI	SALUTARI	.		
DATA / DATE	15/03/2021	15/03/2021	.		
QUOTE SENZA INDICAZIONE DI TOLLERANZA DIMENSIONS WITHOUT TOLERANCE INDICATIONS ISO 2768-mK			TRATTAMENTO TERMICO / HEAT TREATMENT RIVESTIMENTO SUPERFICIALE / SURFACE TREATMENT DENOMINAZIONE / DESCRIPTION SG40 INSTALLATION DETAILS		
SMUSSI NON QUOTATI / NOT DIMENSIONED CHAMFER: 0.3x45° RAGGI NON QUOTATI / NOT DIMENSIONED RADII: 0.3			A2		
RIPRODUZIONE E/O DIFFUSIONE VIETATA REPRODUCTION AND/OR DISCLOSURE IS FORBIDDEN			DISEGNO NR. / DRAWING NR. 105ID401	FOGLIO / SHEET 2 / 5	PESO / WEIGHT (Kg) 1 : 5

SG40 RECOMMENDED CLEARANCES



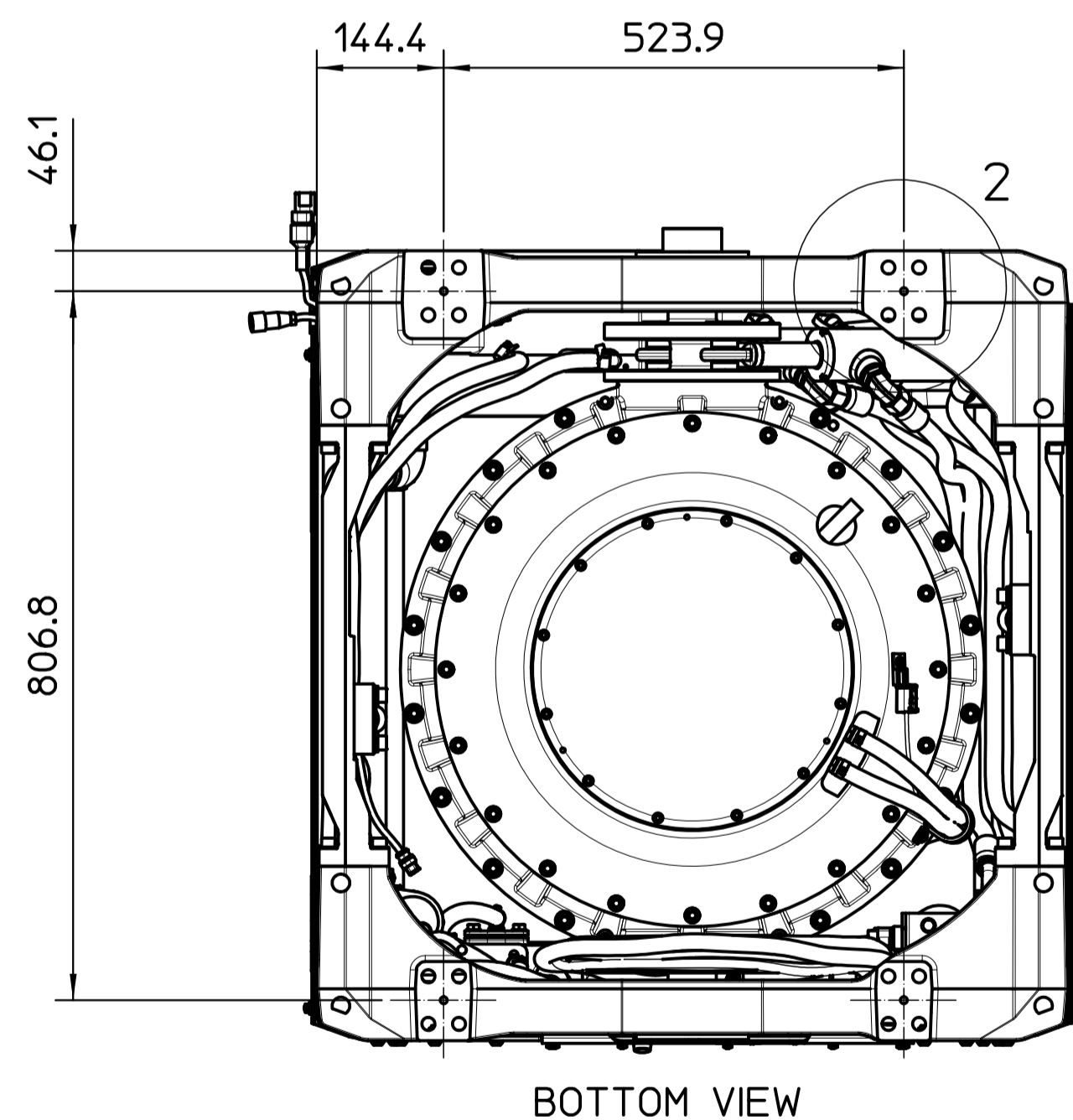
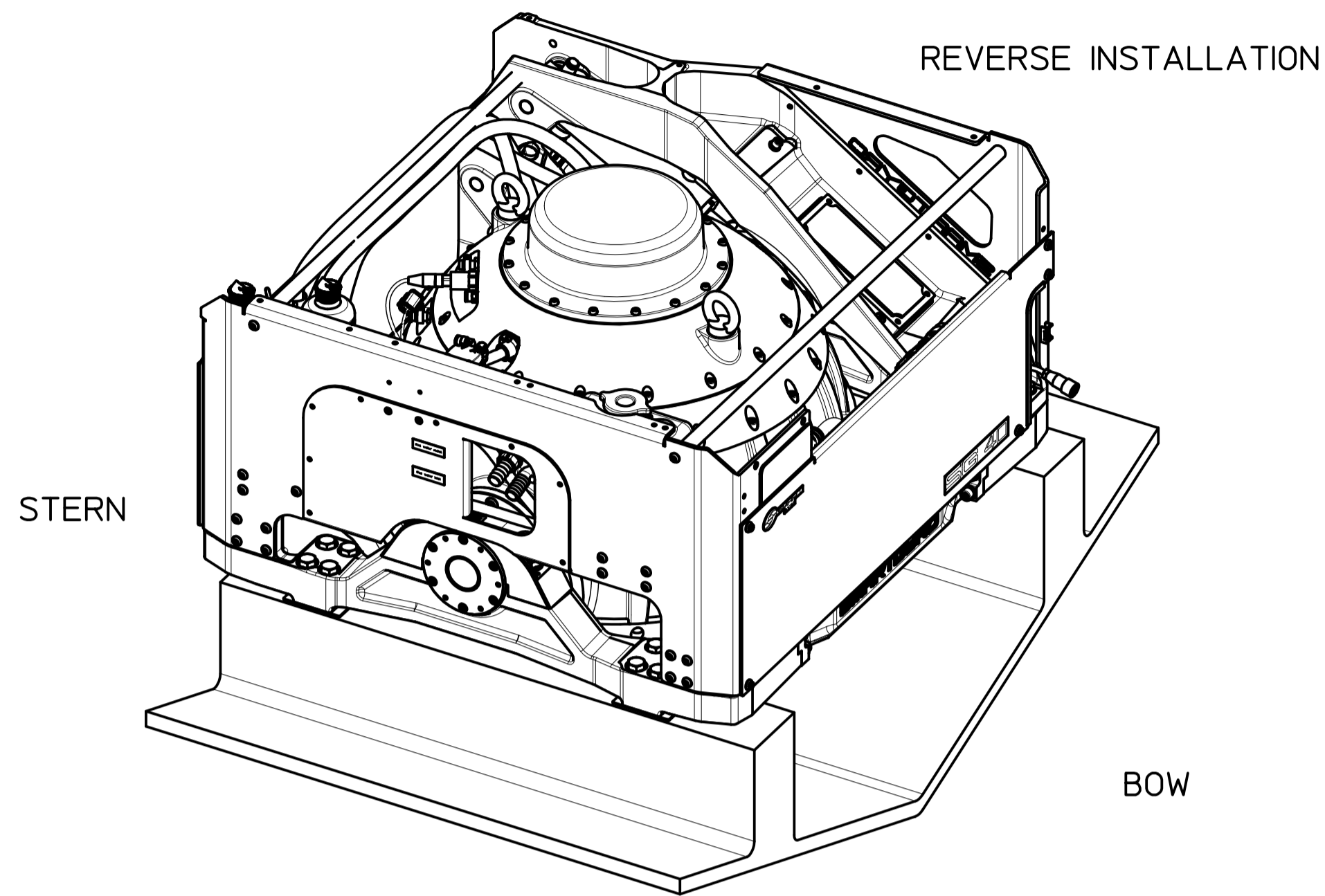
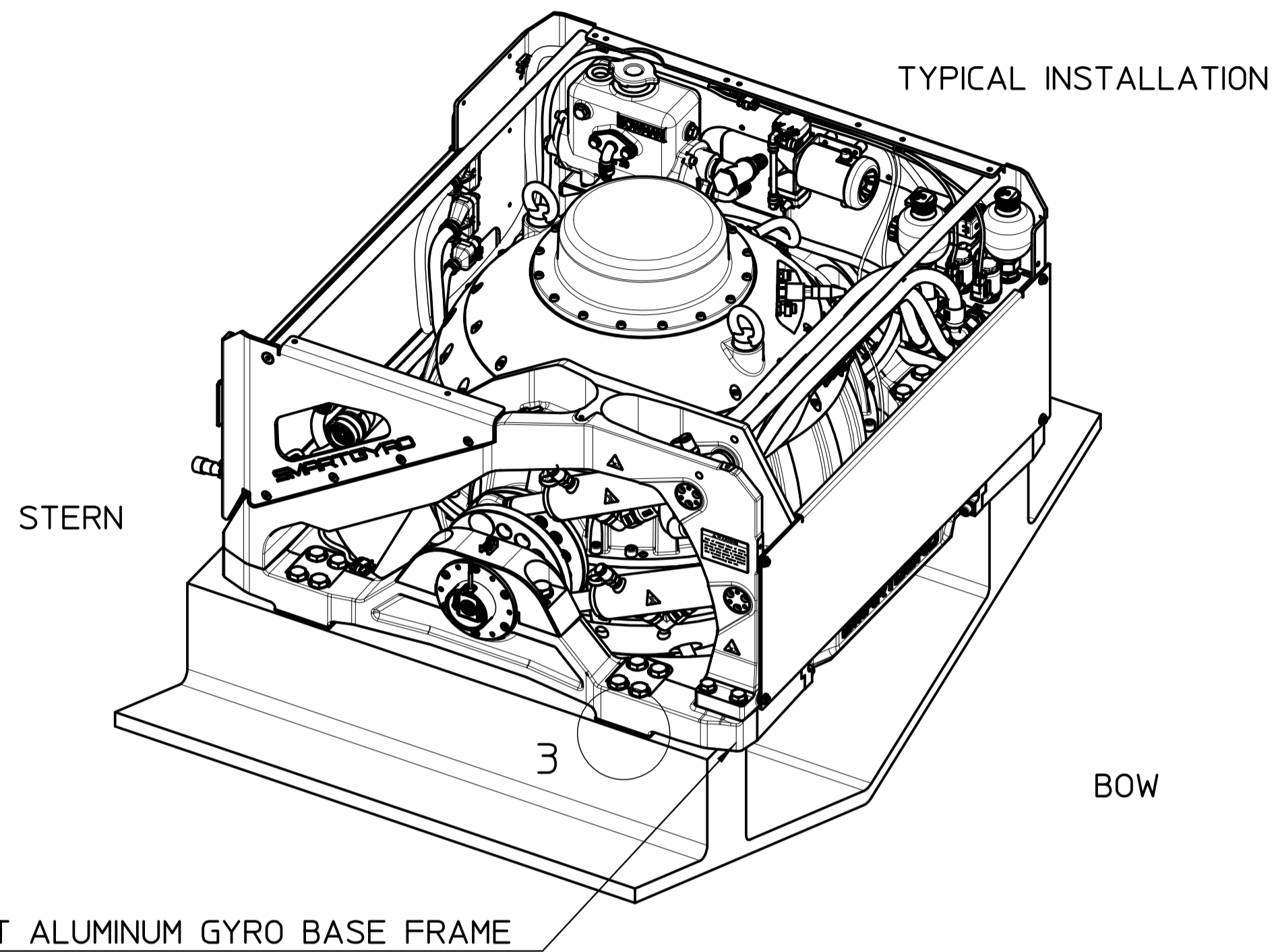
MAXIMUM DISTANCE BETWEEN GYRO BASE FRAME EDGE AND INSIDE EDGE OF SUPPORT STRINGER

ALWAYS ENSURE OVERHEAD ACCESS AND SUFFICIENT CLEARANCE FOR POSSIBLE FUTURE GYRO REMOVAL OR RE-INSTALLATION

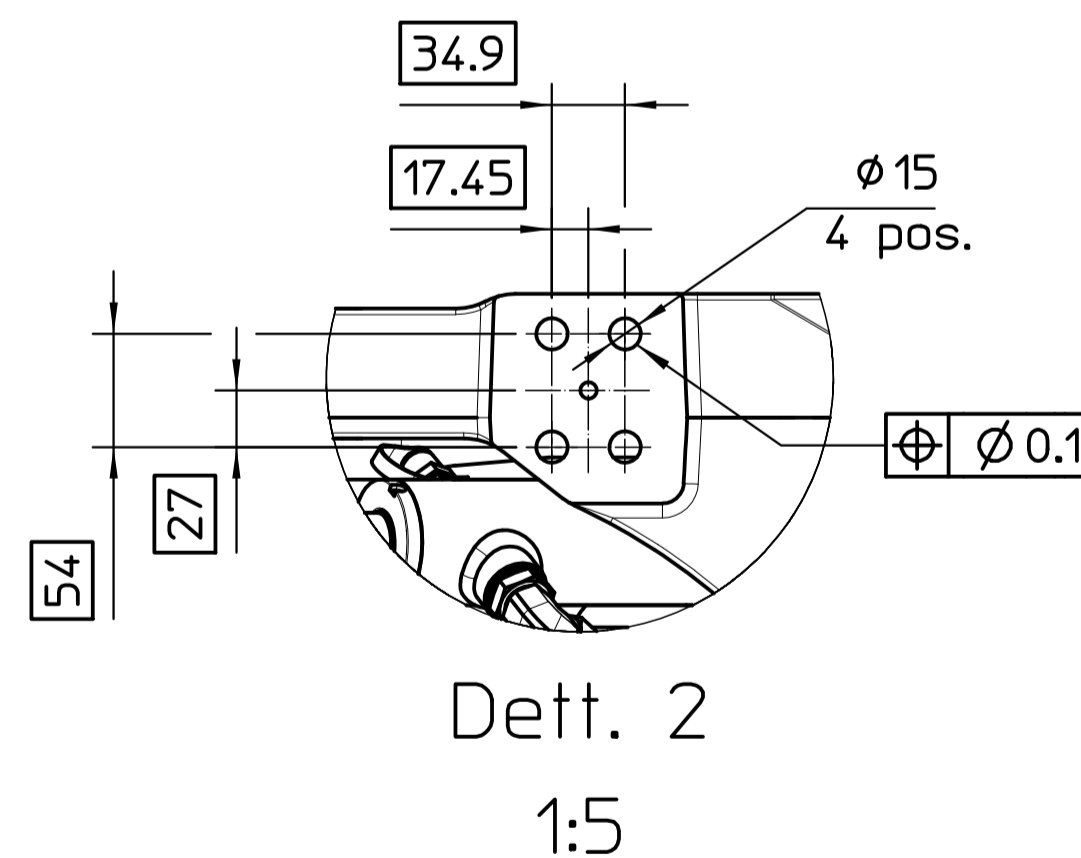
Dimensions with asterisk (*) refer to the position of the center of mass

D	28/09/2021	Sheet 3 review	GIANNINI	SALUTARI	.
C	02/09/2021	Sheet 5 review	GIANNINI	SALUTARI	.
B	06/05/2021	General review	GIANNINI	SALUTARI	.
A	29/03/2021	Issue	GIANNINI	SALUTARI	.
REV.	DATA / DATE	DESCRIZIONE REVISIONE / REVISION DESCRIPTION	DISEGNATO / DRAWN BY	VERIFICATO / CHECKED BY	APPROVATO / APPROVED BY
	DISEGNATO / DRAWN BY	VERIFICATO / CHECKED BY	APPROVATO / APPROVED BY	MATERIALE / MATERIAL	
FIRMA / SIGN	GIANNINI	SALUTARI	.	TRATTAMENTO TERMICO / HEAT TREATMENT	
DATA / DATE	15/03/2021	15/03/2021	.		
QUOTE SENZA INDICAZIONE DI TOLLERANZA DIMENSIONS WITHOUT TOLERANCE INDICATIONS			RIVESTIMENTO SUPERFICIALE / SURFACE TREATMENT		
ISO 2768-mK			DENOMINAZIONE / DESCRIPTION		
SMUSSI NON QUOTATI / NOT DIMENSIONED CHAMFER: 0.3x45°			A2		
RAGGI NON QUOTATI / NOT DIMENSIONED RADII: 0.3			SG40 INSTALLATION DETAILS		
RIPRODUZIONE E/O DIFFUSIONE VIETATA REPRODUCTION AND/OR DISCLOSURE IS FORBIDDEN			DISEGNO NR. / DRAWING NR.	FOLGIO / SHEET	PESO / WEIGHT
			105ID401	3 / 5	(kg)
			SCALA / SCALE		
			1 : 10		

SG40 INSTALLATION MODES



EXTERNAL QUOTES REFERENCED TO THE BASE FRAME



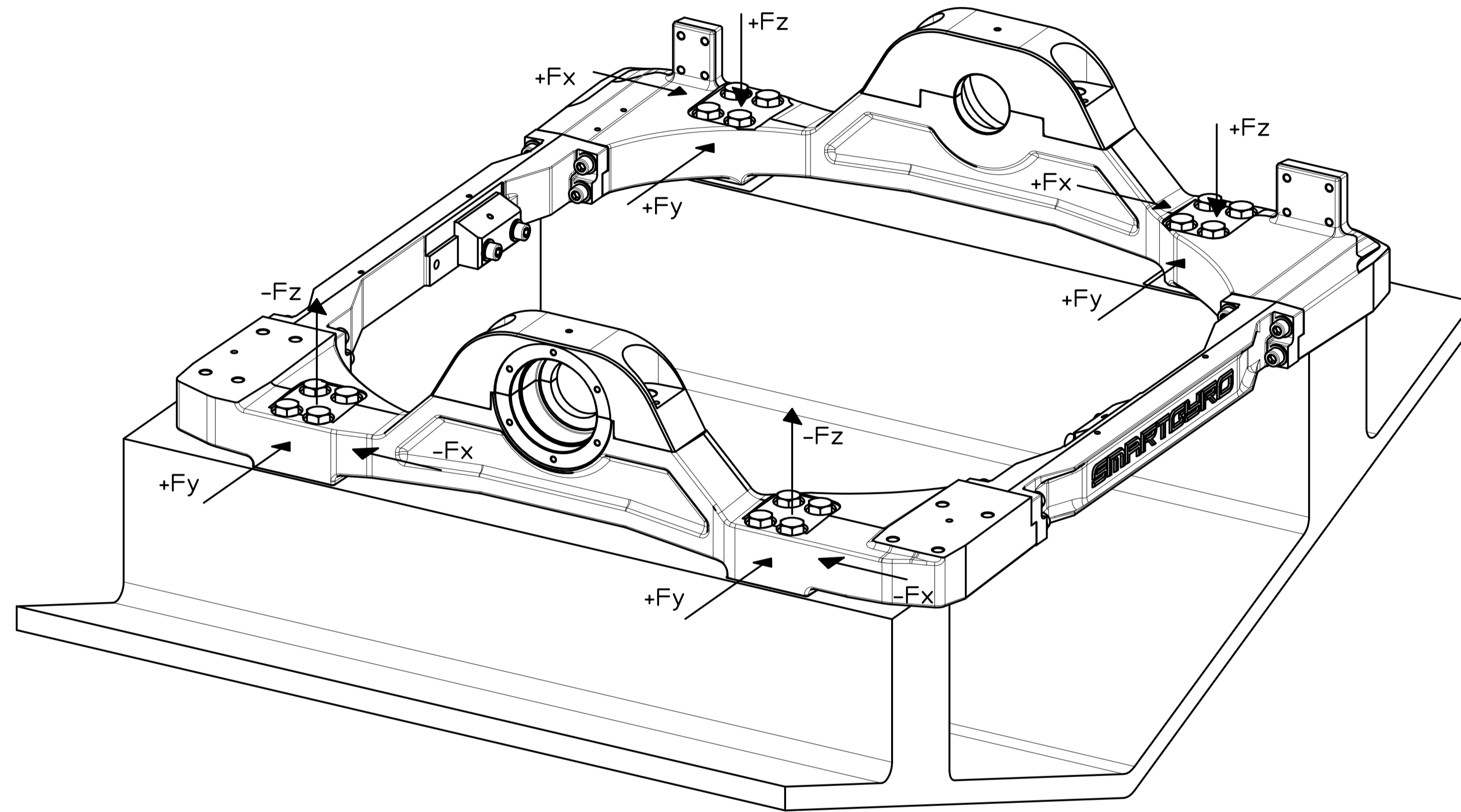
In case of dissimilar metals between gyro base frame and supporting structure use isolation gaskets 105CS124

Det. 3
1:5

- SG40 gyro may be mounted in both typical and reverse installation modes, depending on the best accessibility for maintenance and service.
- In case of reverse installation refer to installation manual MSG40 for software setting on control display.
- For the correct positioning of the mounting holes on the supporting structure use the installation kit 105AS143 and follow installation manual MSG40.
- For gyro fixing to the supporting structure use the provided bolts M14 and washers.
- Recommended torque for fixing bolts is 130 Nm.

D	28/09/2021	Sheet 3 review	GIANNINI	SALUTARI	.
C	02/09/2021	Sheet 5 review	GIANNINI	SALUTARI	.
B	06/05/2021	General review	GIANNINI	SALUTARI	.
A	29/03/2021	Issue	GIANNINI	SALUTARI	.
REV.	DATA / DATE	DESCRIZIONE REVISIONE / REVISION DESCRIPTION	DISEGNATO / DRAWN BY	VERIFICATO / CHECKED BY	APPROVATO / APPROVED BY
	DISEGNATO / DRAWN BY	VERIFICATO / CHECKED BY	APPROVATO / APPROVED BY	MATERIALE / MATERIAL	
FIRMA / SIGN	GIANNINI	SALUTARI	.	TRATTAMENTO TERMICO / HEAT TREATMENT	
DATA / DATE	15/03/2021	15/03/2021	.		
QUOTE SENZA INDICAZIONE DI TOLLERANZA DIMENSIONS WITHOUT TOLERANCE INDICATIONS ISO 2768-mK				RIVESTIMENTO SUPERFICIALE / SURFACE TREATMENT	
SMUSI NON QUOTATI / NOT DIMENSIONED CHAMFER: 0.3x45° RAGGI NON QUOTATI / NOT DIMENSIONED RADII: 0.3				DENOMINAZIONE / DESCRIPTION	
RIPRODUZIONE E/O DIFFUSIONE VIETATA REPRODUCTION AND/OR DISCLOSURE IS FORBIDDEN			DISEGNO NR. / DRAWING NR.	FOGLIO / SHEET	PESO / WEIGHT
			105ID401	4 / 5	(kg) 1 : 10

SG40 EXERTED LOADS ON HULL STRUCTURE



- The SG40 gyro generates moments and forces to the hull structure in roll, pitch and yaw directions.

- Their resulting combined effect can be expressed as forces applied at each of the four mounting points as detailed below.

Fx = 9800 N
 Fy = 1600 N
 Fz = 16600 N

- These forces should be considered as acting simultaneously, fully reversing and applied in a cyclic way that repeats endlessly.

REV.	DATA / DATE	DESCRIZIONE REVISIONE / REVISION DESCRIPTION	GIANNINI	SALUTARI	.
D	28/09/2021	Sheet 3 review	GIANNINI	SALUTARI	.
C	02/09/2021	Sheet 5 review	GIANNINI	SALUTARI	.
B	06/05/2021	General review	GIANNINI	SALUTARI	.
A	29/03/2021	Issue	GIANNINI	SALUTARI	.
DESIGNATO / DRAWN BY	VERIFICATO / CHECKED BY	APPROVATO / APPROVED BY	MATERIALE / MATERIAL		
GIANNINI	SALUTARI	.	TRATTAMENTO TERMICO / HEAT TREATMENT		
DATA / DATE	15/03/2021	15/03/2021	RIVESTIMENTO SUPERFICIALE / SURFACE TREATMENT		
QUOTE SENZA INDICAZIONE DI TOLLERANZA / DIMENSIONS WITHOUT TOLERANCE INDICATIONS			DENOMINAZIONE / DESCRIPTION		
ISO 2768-mK			A2		
SMUSI NON QUOTATI / NOT DIMENSIONED CHAMFER: 0.3x45°			RIPRODUZIONE E/O DIFFUSIONE VIETATA / REPRODUCTION AND/OR DISCLOSURE IS FORBIDDEN		
RAGGI NON QUOTATI / NOT DIMENSIONED RADII: 0.3			DISEGNO NR. / DRAWING NR.	FOLGIO / SHEET	PESO / WEIGHT
			105ID401	5 / 5	(kg)
			SCALA / SCALE	1 : 5	