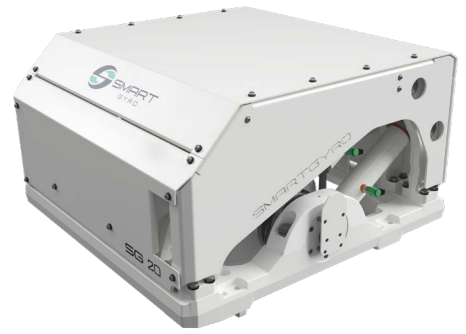


# SG20 GYRO STABILIZER

Smartgyro SG20 is the gyro stabilizer of choice for boats from 45-55 ft. Ideal for both new builds and refit installations, the stabilizer can be fully serviced on-board the vessel without the need to lift out for maintenance, ensuring significant time and cost savings.



## TECHNICAL SPECIFICATIONS

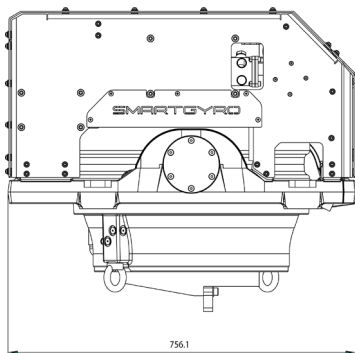
Maximum Rated speed	9.500 RPM	Operating AC power (*) (**)	1.5 - 2.5 kW
Angular momentum at max. rated speed	5.900 Nms	Control DC power ("spool-up" and operating)	150 W (including display)
Max. Anti-rolling torque at max. rated speed	15.500 Nm	Sea water supply	15 (min) - 30 (max) LPM [4 (min) - 8 (max) GPM]
"Spool-up" time to max. rated speed	55 minutes	Operating temperature	0 - 55 °C [32 - 131 °F]
"Spool-up" time to stabilization	35 minutes (65% of rated speed)	Envelope dimensions	0.76 x 0.77 x 0.65 m [29.9 x 30.3x 25.6 in]
Input voltage (AC)	115V nominal 50/60 Hz, single phase  220V nominal 50/60 Hz, single phase	Weight	495 kg [1091 lbs]
Control DC power input	12 Vdc	Noise output	70 - 72 dBC @ 1 meter
Max. "Spool-up" AC power (*)	3.5 kW		

(\*) sea water pump excluded

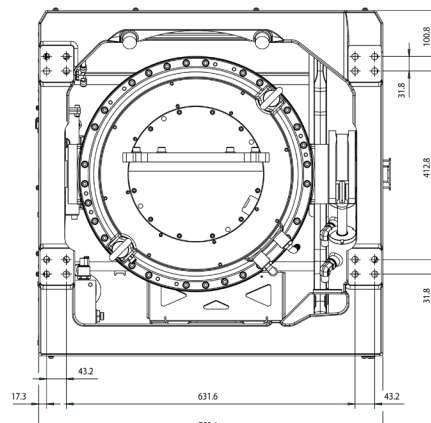
(\*\*) sea state dependent

NOTE: All data subject to change without notice. Text and illustrations are not binding.

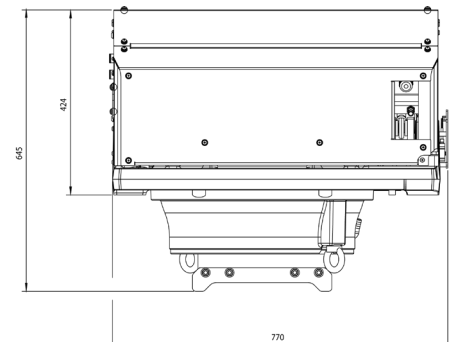
### PORT VIEW



### TOP VIEW



### FRONT VIEW



Dimensions in mm

FEEL THE MAGIC

smartgyro.com